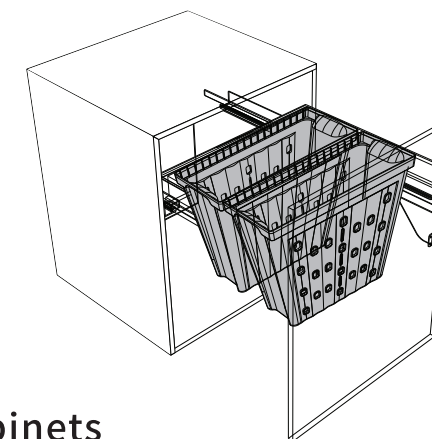
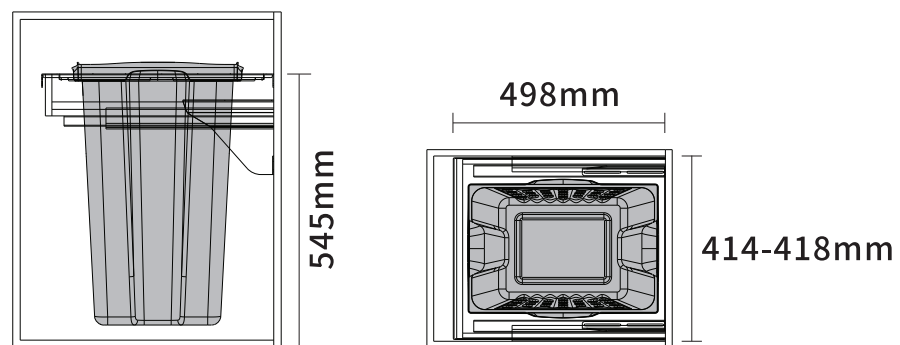
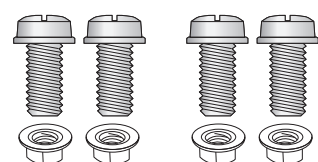
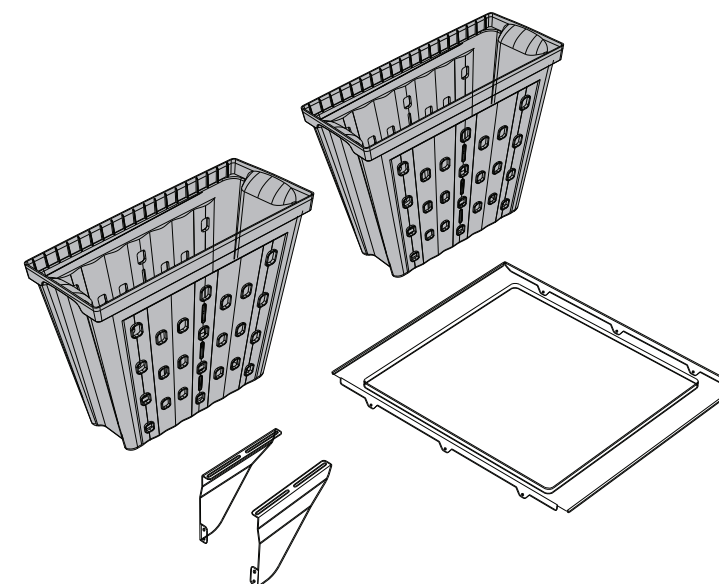
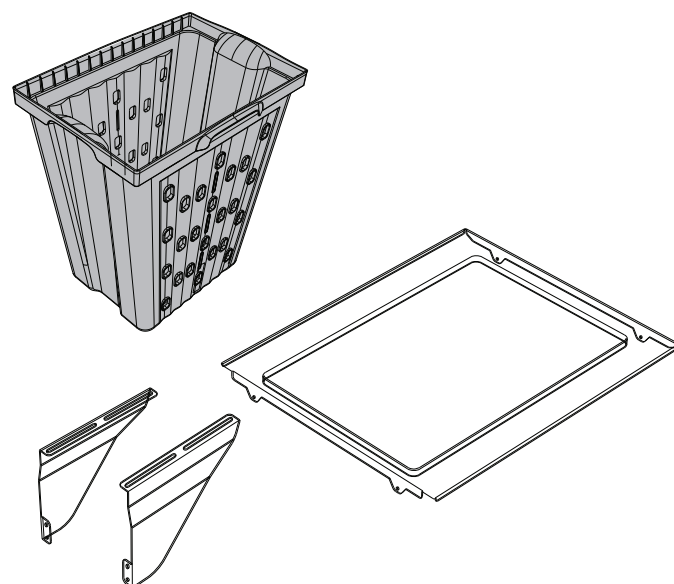
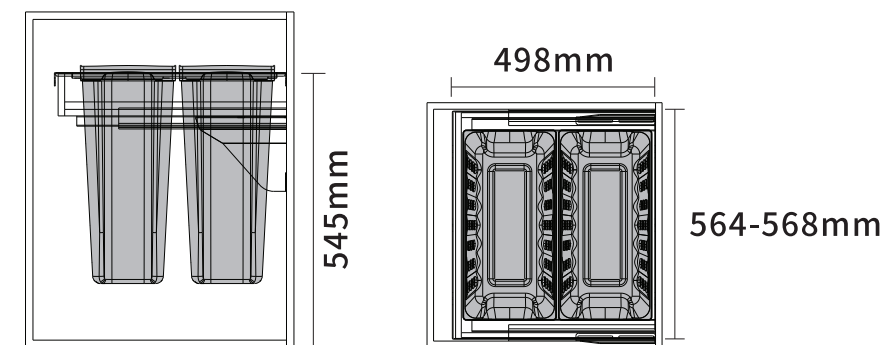


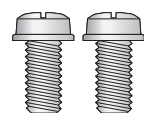
Suitable for 450mm cabinets



Suitable for 600mm cabinets



M5×12mm bolts with nuts(4PCS) each



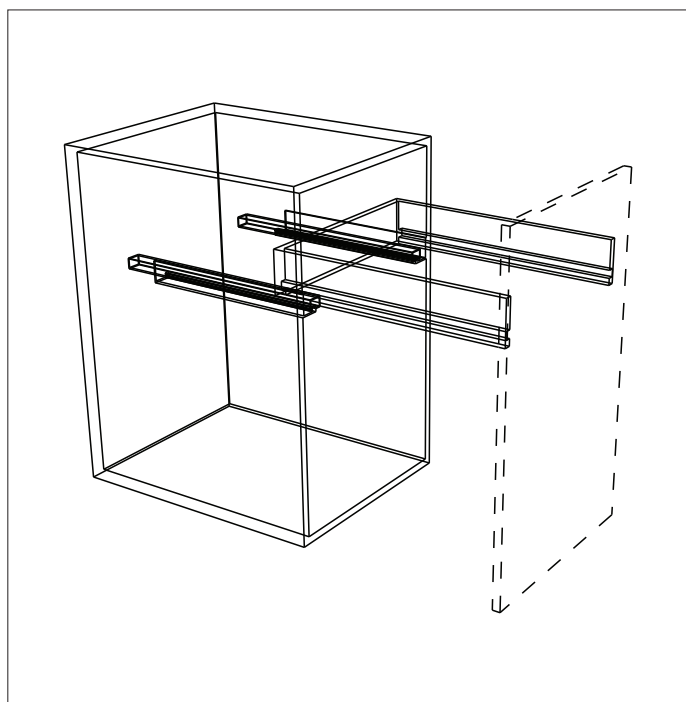
M5×10mm white nylon bolts 2PCS



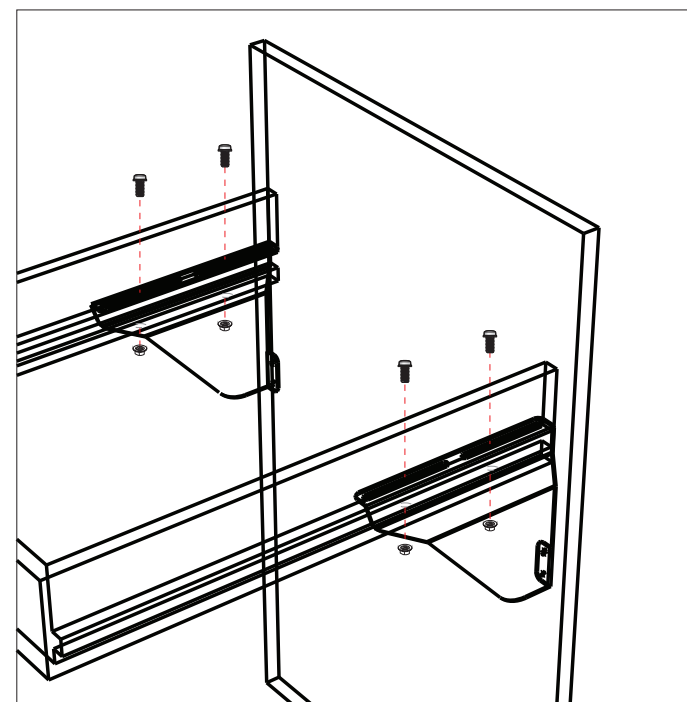
M3.5 self-tapping screws  
6PCS for 450mm cabinets  
8PCS for 600mm cabinets



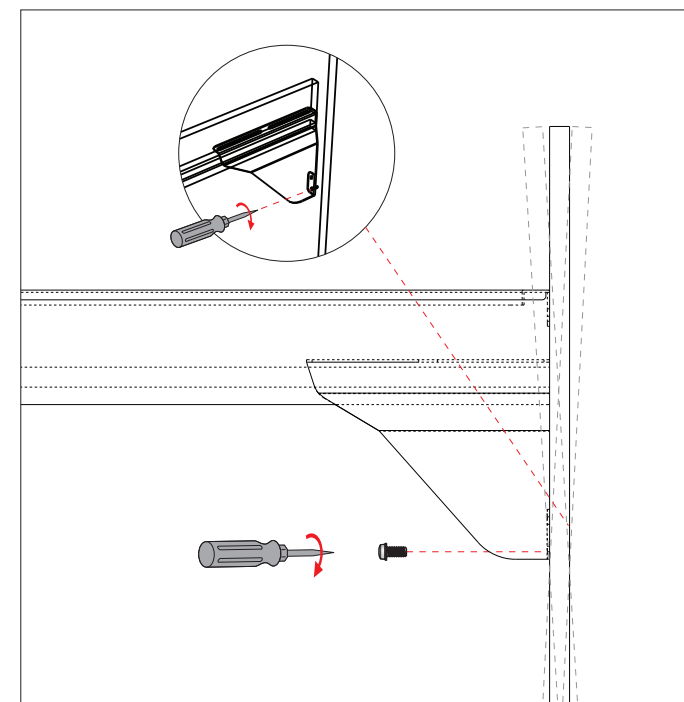
15mm diameter×1mm thickness  
single-sided silicone pad×6 PCS



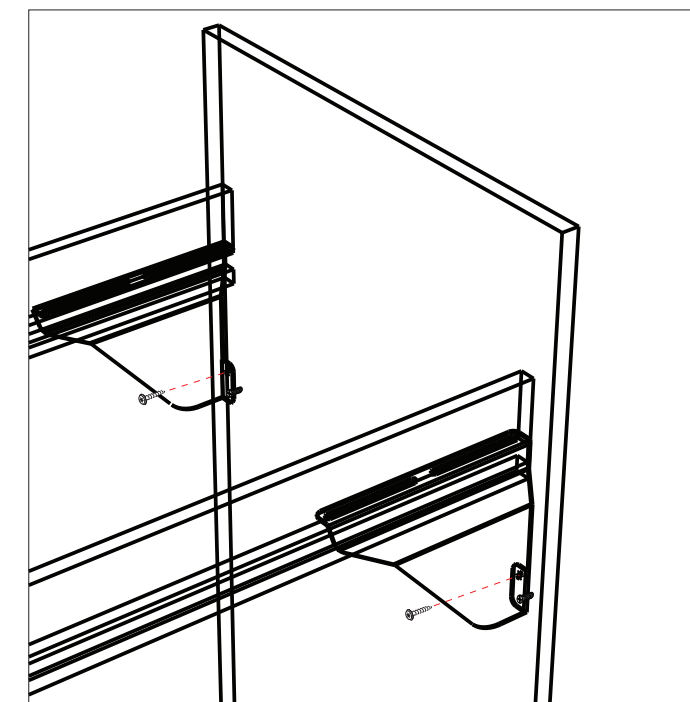
1、Ensure the drawerslides are properly installed (without the drawer bottom)



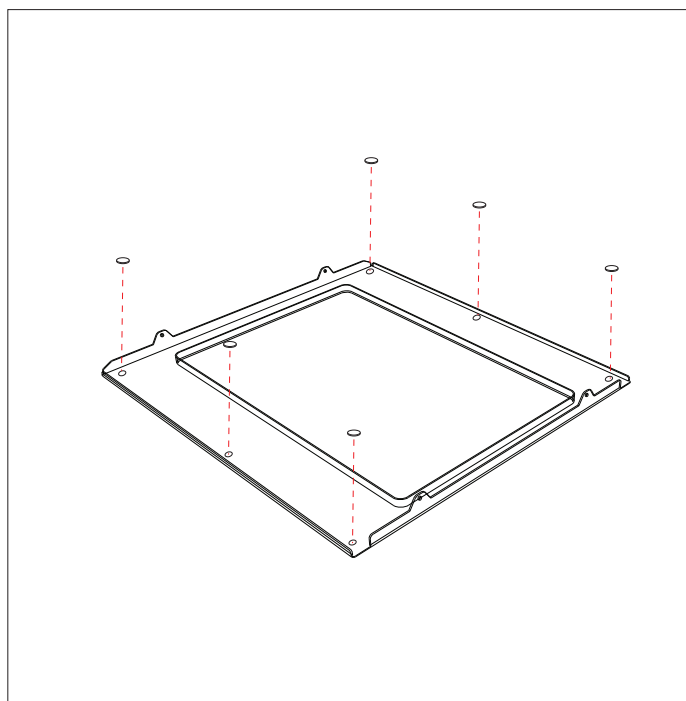
2、Secure the front fix brackets with M5 screws



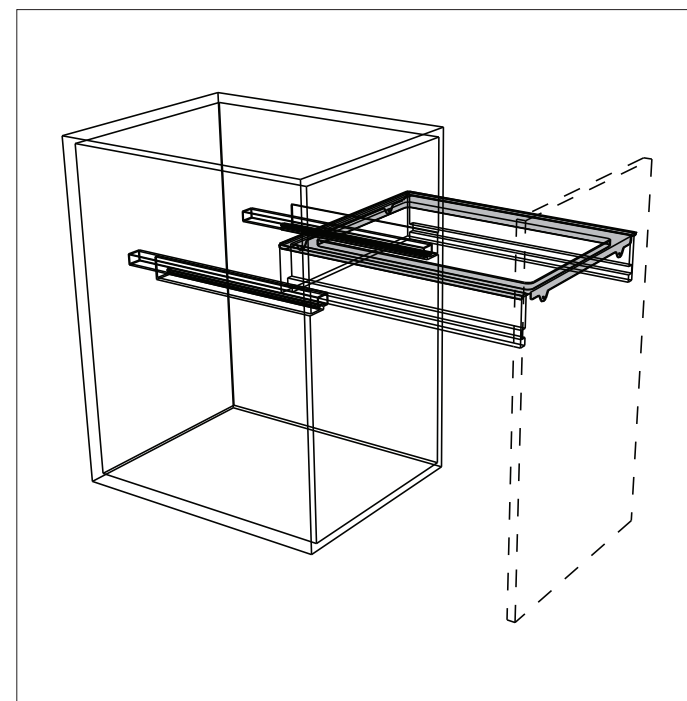
3、Adjust the vertical alignment between the guide rail and door panel with M5 nylon screws.



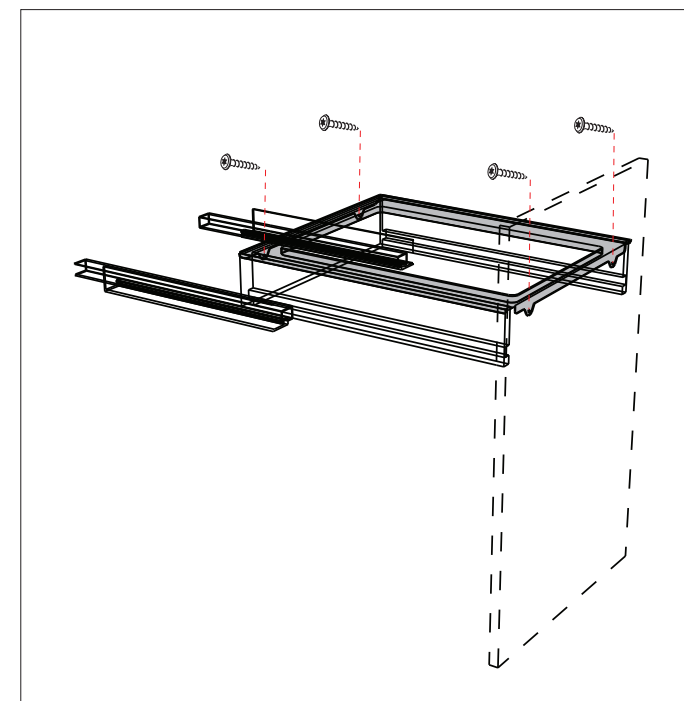
4、Secure the door panel by tightening M3.5 self-tapping screws.



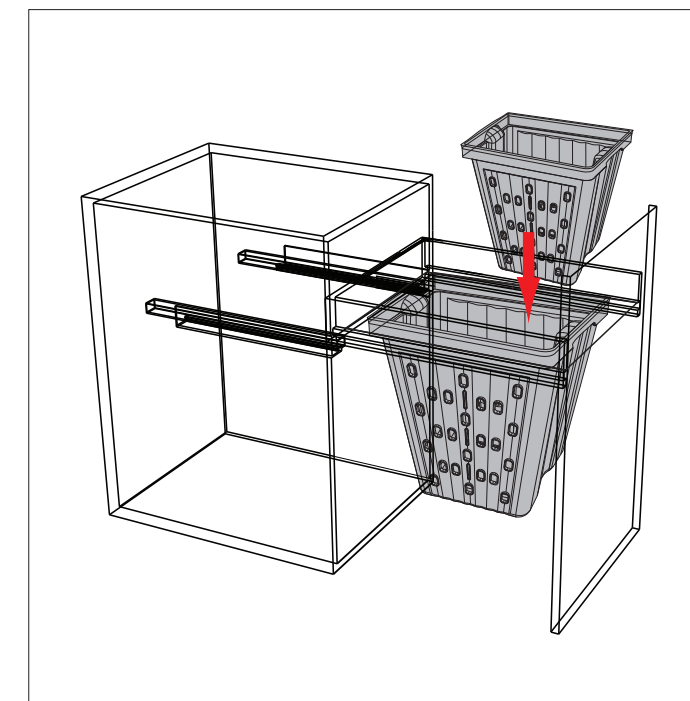
5、Attach M15×1mm silicone pads to the back of the metal frame.



6、Place the metal frame directly onto the drawer sides.



7、Secure the metal frame with M3.5 self-tapping screws.



8、Finally, put the hamper into the metal frame.